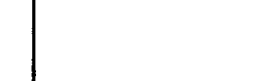
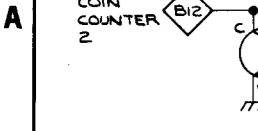
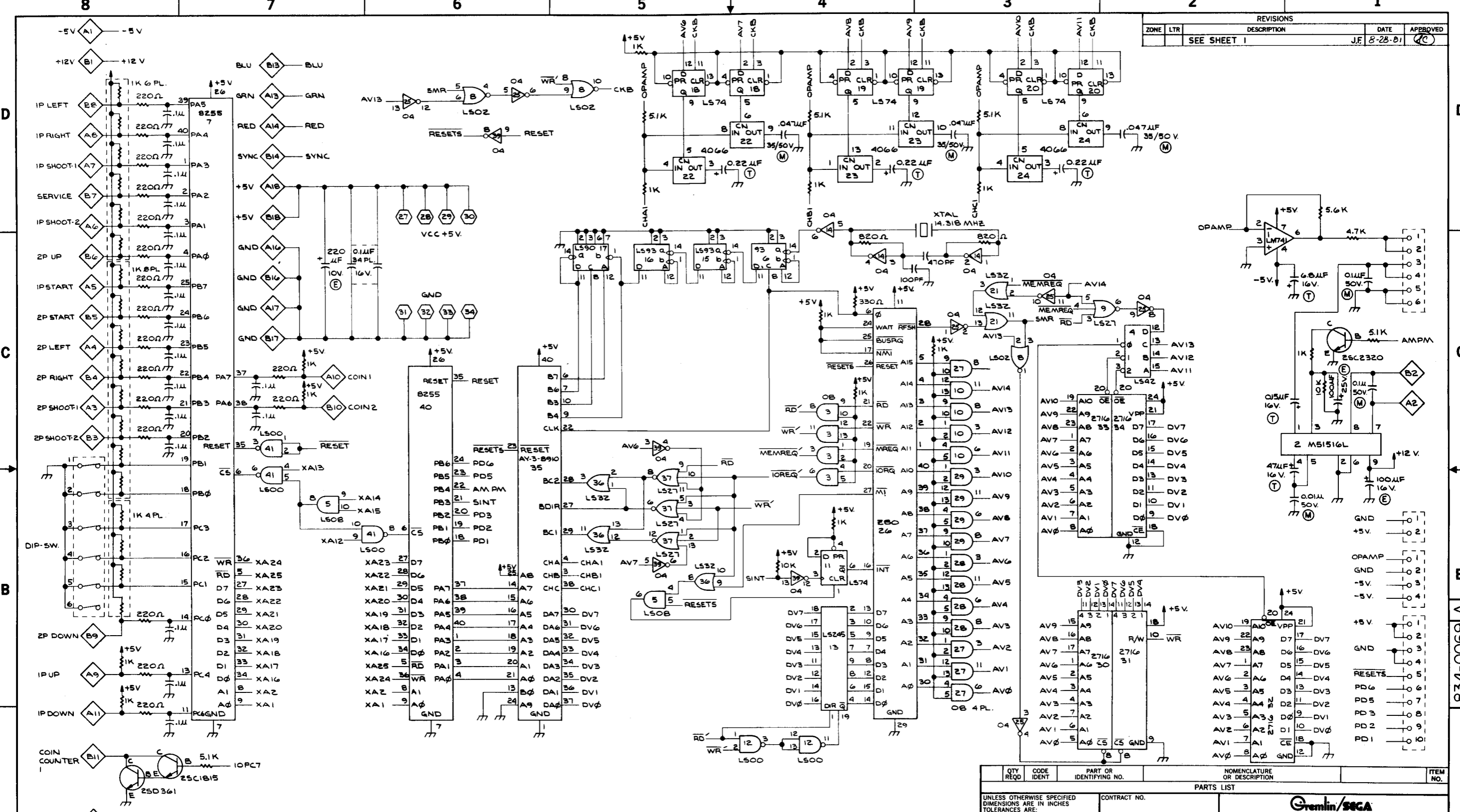


REVISIONS			DATE	APPROVED
ZONE	LTR	DESCRIPTION	J.F. 8-28-81	J.F.
SEE SHEET 1				

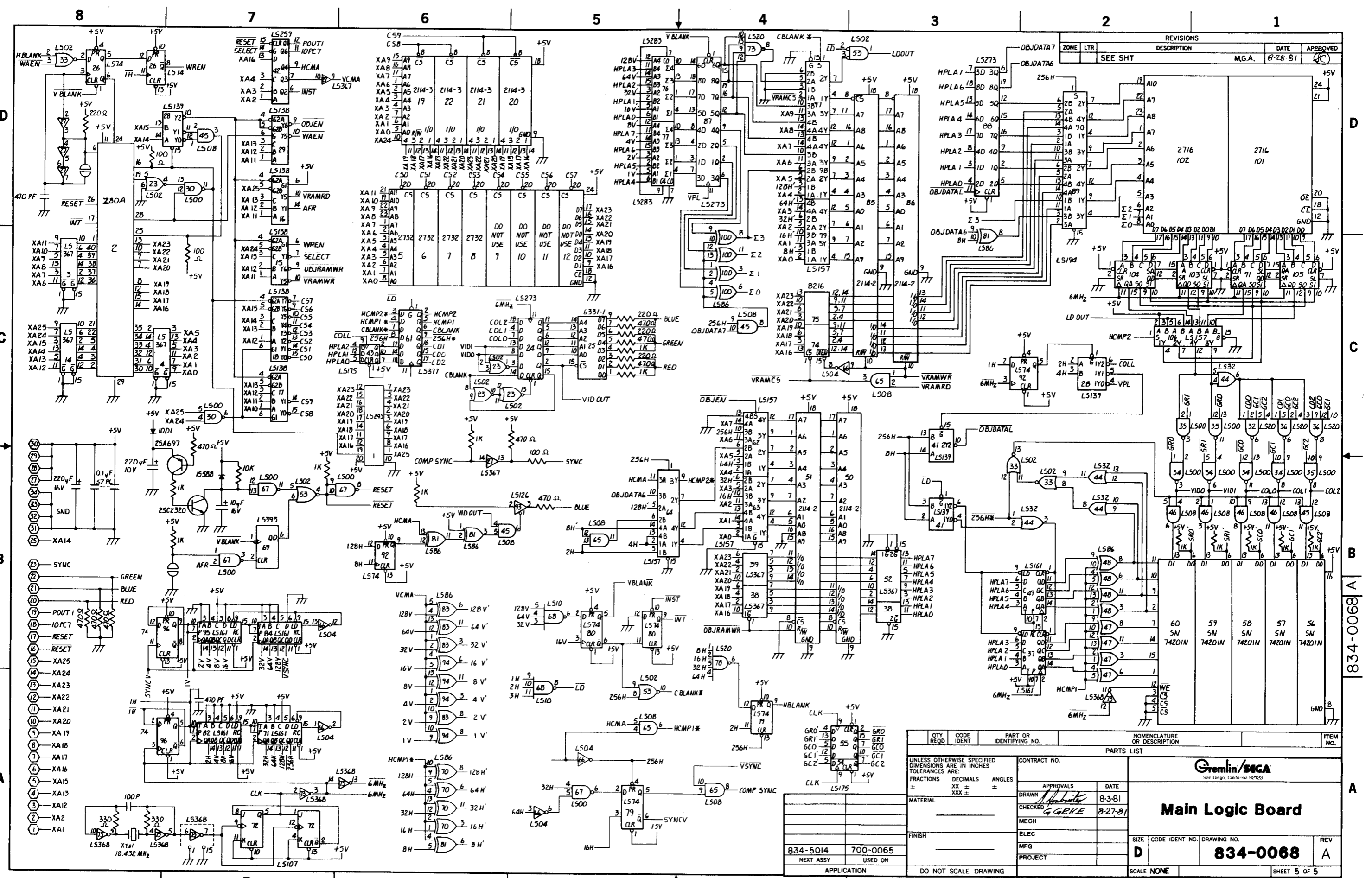


QTY REQD		CODE IDENT	PART OR IDENTIFYING NO.	NOMENCLATURE OR DESCRIPTION	ITEM NO.																						
UNLESS OTHERWISE SPECIFIED DIMENSIONS ARE IN INCHES TOLERANCES ARE:					<table border="1"> <tr> <td colspan="2">CONTRACT NO.</td> <td rowspan="3">             San Diego, California 92123         </td> </tr> <tr> <td>APPROVALS</td> <td>DATE</td> </tr> <tr> <td>DRAWN J.FLORES</td> <td>8-11-81</td> </tr> <tr> <td>CHECKED G.GRICE</td> <td>8-26-81</td> <td rowspan="3"> <b>Sub Logic Board</b> </td> </tr> <tr> <td>MECH</td> <td></td> </tr> <tr> <td>ELEC</td> <td></td> </tr> <tr> <td colspan="2">MFG</td> <td>SIZE CODE IDENT NO. DRAWING NO.</td> <td>REV</td> </tr> <tr> <td colspan="2">PROJECT</td> <td colspan="2"><b>834-0069</b> A</td> </tr> </table>	CONTRACT NO.		 San Diego, California 92123	APPROVALS	DATE	DRAWN J.FLORES	8-11-81	CHECKED G.GRICE	8-26-81	<b>Sub Logic Board</b>	MECH		ELEC		MFG		SIZE CODE IDENT NO. DRAWING NO.	REV	PROJECT		<b>834-0069</b> A	
CONTRACT NO.		 San Diego, California 92123																									
APPROVALS	DATE																										
DRAWN J.FLORES	8-11-81																										
CHECKED G.GRICE	8-26-81	<b>Sub Logic Board</b>																									
MECH																											
ELEC																											
MFG		SIZE CODE IDENT NO. DRAWING NO.	REV																								
PROJECT		<b>834-0069</b> A																									

| 834-5014 | | 700-0065 |  |  |
| NEXT ASSY USED ON | |  |  |  |

- XA1
- XA2
- XA12
- XA13
- XA15
- XA16
- XA17
- XA18
- XA19
- XA20
- XA21
- XA22
- XA23
- XA24
- XA25
- RESET
- RESET
- IOPC7
- POUT1
- RED
- BLU
- GRN
- SYNC
- XA14

834-0069 A



QTY REQD		CODE IDENT	PART OR IDENTIFYING NO.	NOMENCLATURE OR DESCRIPTION		ITEM NO.
UNLESS OTHERWISE SPECIFIED DIMENSIONS ARE IN INCHES TOLERANCES ARE:						
		FRACTIONS	DECIMALS	ANGLES		
		±	.XX ±	±		
			.XXX ±			
MATERIAL			CONTRACT NO.			
FINISH			APPROVALS			
			DATE			
			DRAWN			
			CHECKED			
			MECH			
			ELEC			
			MFG			
			PROJECT			
834-5014		700-0065		Main Logic Board		
NEXT ASSY		USED ON		SIZE		
				CODE IDENT NO.		
				DRAWING NO.		
				REV		
				834-0068		
				SCALE NONE		
				SHEET 5 OF 5		

834-0068 A